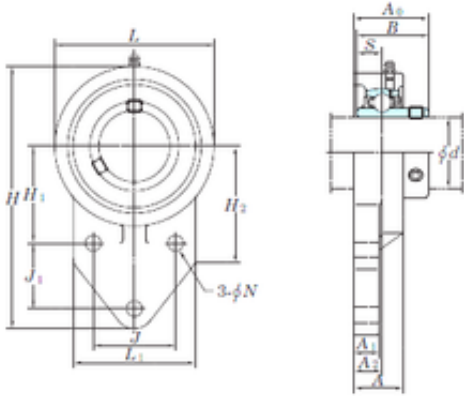




BEARING de Mexico?S.A.

KOYO UCFB208-24 Ball bearings units

Bearing No. UCFB208-24



UCFB208-24 Bearing 2D drawings and 3D CAD models

Bore Diameter	38,1 mm
d	38,1 mm
A0	50,2 mm
A	34 mm
A1	16 mm
B	49,2 mm
H	164 mm
H1	60 mm
H2	72 mm
J	50 mm
L	100 mm
L1	78 mm
N	11 mm
S	19 mm
Bolt (G)	M10
A2	20 mm
J1	41 mm
Weight	1,8 Kg
Basic dynamic load rating (C)	29,1 kN
Basic static load rating (C0)	17,8 kN