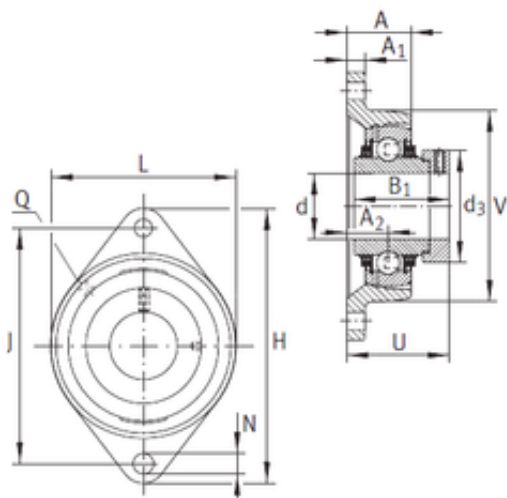




BEARING de Mexico?S.A.



TCJT35-N Bearing 2D drawings and 3D CAD models

INA TCJT35-N Ball bearings units

Bearing No. TCJT35-N

Bore Diameter	35 mm
d	35 mm
V	92 mm
U	53,5 mm
Thread (Q)	Rp1/8
d3	51 mm
A	30,5 mm
A1	12,5 mm
B1	51,3 mm
H	155 mm
J	130 mm
L	92 mm
N	14 mm
A2	21 mm
Weight	1,21 Kg
Basic dynamic load rating (C)	25,5 kN
Category	Flange Block Bearings
Inventory	0.0
Manufacturer Name	SCHAEFFLER GROUP
Minimum Buy Quantity	N/A
Weight / Kilogram	1.485
Product Group	M06110
Number of Mounting Holes	2
Mounting Method	Eccentric Collar
Housing Style	2 Bolt Flange Block
Rolling Element	Ball Bearing



BEARING de Mexico?S.A.

Housing Material	Cast Iron
Expansion / Non-expansion	Non-expansion
Mounting Bolts	14 Millimeter
Relubricatable	Yes
Insert Part Number	GE35KPPB3
Seals	Double Triply
Housing Configuration	1 Piece Solid
Pilot Configuration	No Pilot
Inch - Metric	Metric
Long Description	2 Bolt Flange Block; 35MM Bore; 130MM Bolt Circle; 130MM Bolt Spacing; 1 Piece Solid; Eccentric Collar Mount; Cast Iron; Ball Bearing; 51.1MM Length Thru Bore; Relubricatable; Double Triply Seal
Other Features	Single Row Radial Extended Inner Race Metric With Set Screw
Category	Flange Block
UNSPSC	31171501
Harmonized Tariff Code	8483.20.40.40
Noun	Bearing
Keyword String	Flanged
Manufacturer URL	http://www.ina.com
Manufacturer Item Number	TCJT35
Weight / LBS	2.867
Bolt Spacing	5.118 Inch 130 Millimeter
Cartridge Pilot Diameter	0 Inch 0 Millimeter
Length Thru Bore	2.012 Inch 51.1 Millimeter
Bore	1.378 Inch 35 Millimeter
Nominal Bolt Circle Diameter Round	5.1 Inch 130 Millimeter