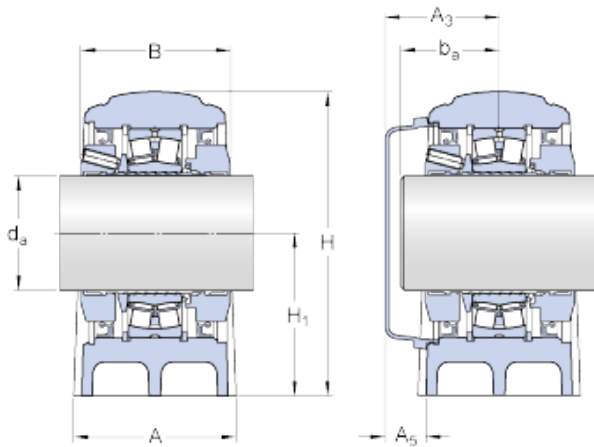




## BEARING de Mexico?S.A.



### SKF SYNT 70 FTF Ball bearings units

Bearing No. SYNT 70 FTF

Size	70x90x71 mm
Bore Diameter	70 mm
Outer Diameter	90 mm
Width	71 mm
$d_a$	70 mm
A	90 mm
B	71 mm
H	176 mm
$H_1$	95 mm
$H_2$	32 mm
J	260 mm
L	315 mm
H	28 mm
$N_1$	22 mm
$J_6$	290 mm
$J_7$	32.5 mm
$N_4$ - max.	8 mm
$A_3$	80 mm
$A_5$	38.5 mm
$b_a$ - min.	38 mm
$b_a$ - max.	70 mm
Basic dynamic load rating - C	208 kN
Basic static load rating - $C_0$	228 kN
Fatigue load limit - $P_u$	25.5 kN

SYNT 70 FTF Bearing 2D drawings and 3D CAD models



## BEARING de Mexico?S.A.

Limiting speed	1300 r/min
Calculation factor - e	0.22
Calculation factor - $Y_1$	3
Calculation factor - $Y_2$	4.6
Diameter - $d_m$	97.5 mm
Basic Designation bearing	22214 E
$P_a$	20 kN
$P_{0^\circ}$	350 kN
$P_{55^\circ}$	400 kN
$P_{90^\circ}$	240 kN
$P_{120^\circ}$	160 kN
$P_{150^\circ}$	145 kN
$P_{180^\circ}$	215 kN
Mass bearing unit	11 kg
$d_a$	70 mm
$H_1$	95 mm
$H_2$	32 mm
$N$	28 mm
$N_1$	22 mm
$A_3$	80 mm
$A_5$	38.5 mm
$b_a$ min.	38 mm
$b_a$ max.	70 mm
$J_6$	290 mm
$J_7$	32.5 mm
$N_4$ max.	8 mm
Basic dynamic load rating C	208 kN
Basic static load rating $C_0$	228 kN
Fatigue load limit $P_u$	25.5 kN
Calculation factor e	0.22
Calculation factor $Y_1$	3



## BEARING de Mexico?S.A.

Calculation factor $Y_2$	4.6
Bearing mean diameter $d_m$	97.5 mm
$P_{0^\circ}$	350 kN
$P_{55^\circ}$	400 kN
$P_{90^\circ}$	240 kN
$P_{120^\circ}$	160 kN
$P_{150^\circ}$	145 kN
$P_{180^\circ}$	215 kN
$P_a$	20 kN
Attachment bolt diameter G	20 mm
Tightening torque for attachment bolts	385 N · m
Grub screws	4 x M 6
Tightening torque for grub screws	8 N · m
Grease quantity for relubrication	8 g