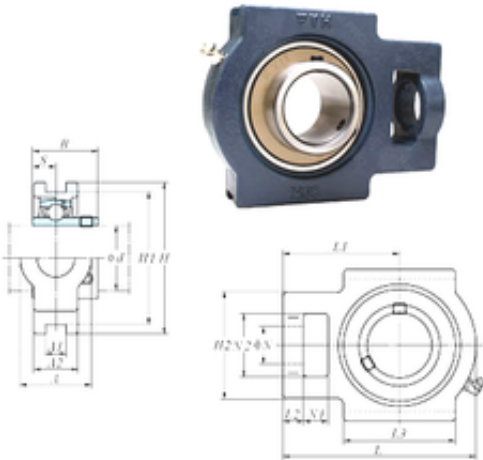




BEARING de Mexico?S.A.

FYH UCT309 Ball bearings units

Bearing No. UCT309



UCT309 Bearing 2D drawings and 3D CAD models

Bore Diameter	45 mm
d	45 mm
L2	18 mm
L3	97 mm
A	55 mm
A1	18 mm
B	57 mm
H	138 mm
H1	125 mm
H2	90 mm
L	178 mm
L1	110 mm
N	34 mm
N1	24 mm
S	22 mm
A2	38 mm
N2	55 mm
Weight	4,1 Kg
Basic dynamic load rating (C)	48,9 kN
Basic static load rating (C0)	29,5 kN
Category	Mounted Units & Inserts
Inventory	0.0
Manufacturer Name	FYH BEARING UNITS
Minimum Buy Quantity	N/A
Weight / Kilogram	0
Product Group	M06110



BEARING de Mexico?S.A.