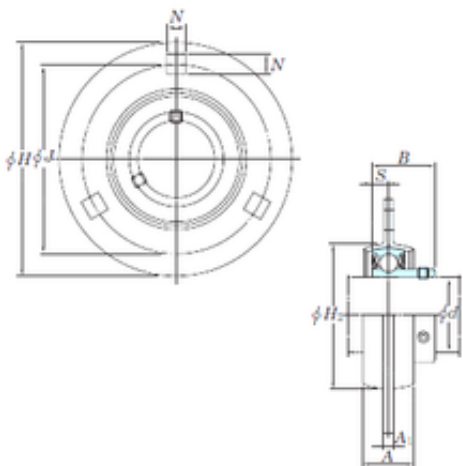




BEARING de Mexico?S.A.



KOYO SBPF202-10 Ball bearings units

Bearing No. SBPF202-10

Bore Diameter	15,875 mm
Width	22 mm
d	15,875 mm
A	14 mm
A1	4 mm
B	22 mm
H	81 mm
H2	49 mm
J	63,5 mm
N	7,1 mm
S	6 mm
Bolt (G)	M6
Weight	0,27 Kg
Basic dynamic load rating (C)	9,55 kN
Basic static load rating (C0)	4,8 kN
Category	Bearings
Inventory	0.0
Manufacturer Name	KOYO
Minimum Buy Quantity	N/A
Weight / Kilogram	0
Product Group	M06110

SBPF202-10 Bearing 2D drawings and 3D CAD models