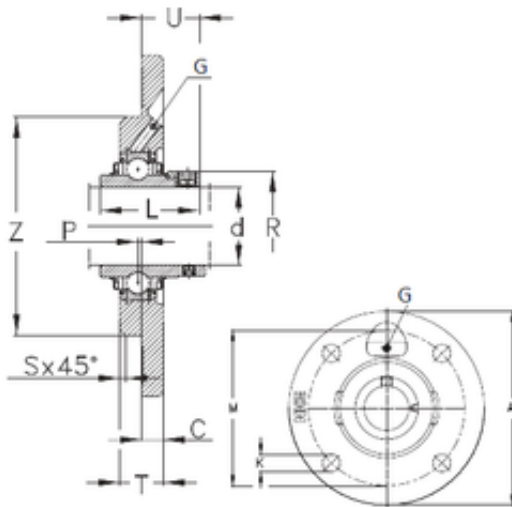




BEARING de Mexico?S.A.



NKE RME100 Ball bearings units

Bearing No. RME100

Bore Diameter	100 mm
d	100 mm
P -	4
U	53,4 mm
K	23 mm
Z	210 mm
A	295 mm
C	22 mm
L	75 mm
M	245 mm
R	132 mm
S	3 mm
T	36 mm
Thread (G)	R1/8 "

RME100 Bearing 2D drawings and 3D CAD models