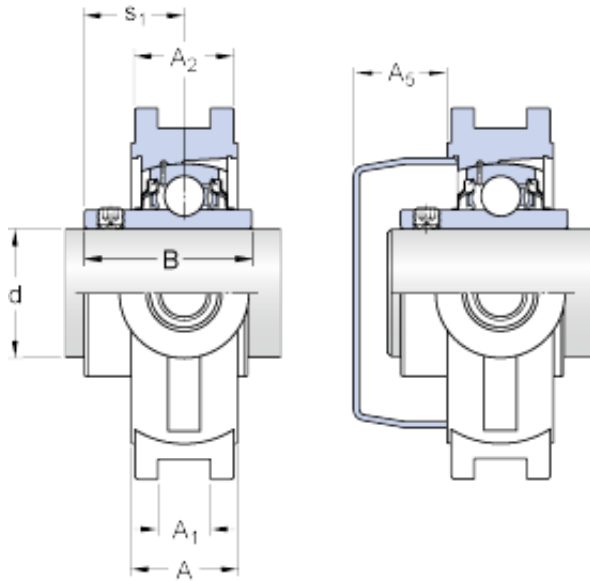




BEARING de Mexico?S.A.



TUWK 1.1/2 LTHR Bearing 2D drawings and 3D CAD models

SKF TUWK 1.1/2 LTHR Ball bearings units

Bearing No. TUWK 1.1/2 LTHR

Size	38.1x34x16 mm
Bore Diameter	38,1 mm
Outer Diameter	34 mm
Width	16 mm
d	38.1 mm
A	34 mm
A ₁	16 mm
A ₂	32 mm
A ₅	33.6 mm
B	49.2 mm
H	114 mm
H ₁	102 mm
H ₂	40 mm
L	140 mm
L ₁	85 mm
L ₃	80 mm
G	M16
G ₁	21 mm
s ₁	30.2 mm
Basic dynamic load rating - C	26 kN
Basic static load rating - C ₀	19 kN
Fatigue load limit - P _u	0.8 kN
Limiting speed with shaft tolerance h6	2800 r/min



BEARING de Mexico?S.A.

Mass bearing unit	0.99 kg
Grub (set) screw - G ₂ - 5/16-24 UNF	5/1624 UNF
Hexagonal key size for grub screw - H	3.969 mm
Recommended tightening torque for grub screw	6.5 N · m
Housing	TUWK 508 L
Bearing - YAR 208-108-2RFGR/HV	YAR 2081082RFGR/HV
Category	Bearings
Inventory	0.0
Manufacturer Name	SKF
Minimum Buy Quantity	N/A
Weight / Kilogram	0
Product Group	M06110
Housing material	Composite for food and beverage
A ₁	16 mm
A ₂	32 mm
A ₅	33.6 mm
B ₄	10 mm
H ₁	102 mm
H ₂	40 mm
L ₁	85 mm
L ₃	80 mm
G ₁	21 mm
s ₁	30.2 mm
Basic dynamic load rating C	26 kN
Basic static load rating C ₀	19 kN
Fatigue load limit P _u	0.8 kN
Grub (set) screw G ₂	5/16-24 UNF
Hexagonal key size for grub screw N	3.969 mm



BEARING de Mexico?S.A.

Bearing	YAR 208-108-2RFGR/HV
End cover	ECL 208