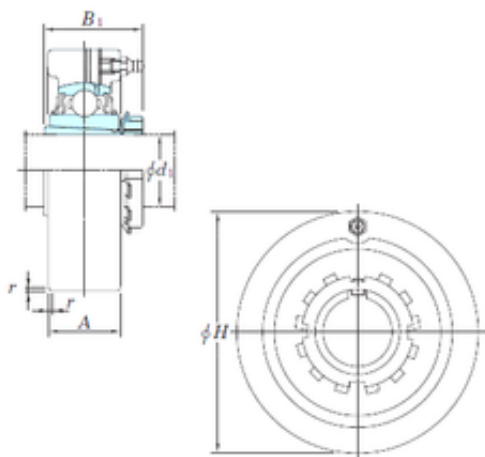




## BEARING de Mexico?S.A.



### KOYO UKC315 Ball bearings units

Bearing No. UKC315

Bore Diameter	65 mm
d	65 mm
r	4 mm
A	55 mm
B1	73 mm
H	190 mm
Weight	8 Kg
Basic dynamic load rating (C)	113 kN
Basic static load rating (C0)	77,2 kN

UKC315 Bearing 2D drawings and 3D CAD models