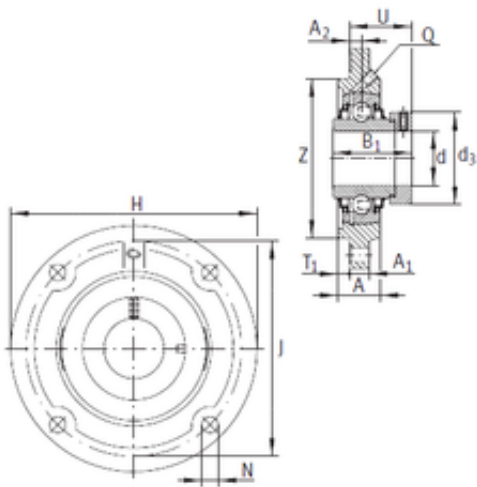




BEARING de Mexico?S.A.



RFE25 Bearing 2D drawings and 3D CAD models

INA RFE25 Ball bearings units

Bearing No. RFE25

Bore Diameter	25 mm
d	25 mm
U	36,4 mm
Thread (Q)	Rp1/8
T1	3 mm
Z	75 mm
d3	37,5 mm
A	22 mm
A1	9 mm
B1	44,5 mm
H	115 mm
J	92 mm
N	9 mm
A2	9,5 mm
Weight	0,8 Kg
Basic dynamic load rating (C)	14 kN
Category	Flange Block Bearings
Inventory	0.0
Manufacturer Name	SCHAEFFLER GROUP
Minimum Buy Quantity	N/A
Weight / Kilogram	0.982
EAN	4012802793741
Product Group	M06110
Number of Mounting Holes	4
Mounting Method	Eccentric Collar
Housing Style	4 Bolt Round Flange Block



BEARING de Mexico?S.A.

Rolling Element	Ball Bearing
Housing Material	Cast Iron
Expansion / Non-expansion	Non-expansion
Mounting Bolts	9 Millimeter
Relubricatable	Yes
Insert Part Number	GE25KRRB
Seals	Double Land Riding Rubber Contact
Housing Configuration	1 Piece Solid
Pilot Configuration	No Pilot
Inch - Metric	Metric
Long Description	4 Bolt Round Flange Block; 25MM Bore; 90.5MM Bolt Circle; 65.1MM Bolt Spacing; 1 Piece Solid; Eccentric Collar Mount; Cast Iron; Ball Bearing; 44.5MM Length Thru Bore; Relubricatable; Double Land Ridi
Other Features	Single Row Centering Spigot With Set Screw
Category	Flange Block
UNSPSC	31171501
Harmonized Tariff Code	8483.20.40.40
Noun	Bearing
Keyword String	Flanged
Manufacturer URL	http://www.ina.com
Manufacturer Item Number	RFE25
Weight / LBS	1.764
Bolt Spacing	2.563 Inch 65.1 Millimeter
Nominal Bolt Circle Diameter Round	3.6 Inch 90.5 Millimeter
Length Thru Bore	1.752 Inch 44.5 Millimeter
Bore	0.984 Inch 25 Millimeter



BEARING de Mexico?S.A.

Cartridge Pilot Diameter	0 Inch 0 Millimeter
Cartridge Pilot Depth	0 Inch 0 Millimeter