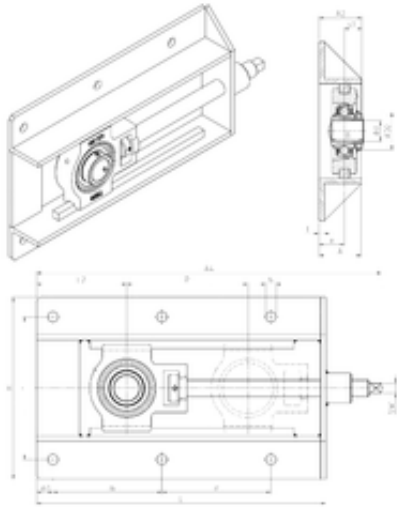




BEARING de Mexico?S.A.



UKT208H+WB Bearing 2D drawings and 3D CAD models

SNR UKT208H+WB Ball bearings units

Bearing No. UKT208H+WB

Bore Diameter	35 mm
d	35 mm
A4	591 mm
P	300 mm
e	30 mm
L2	108 mm
s1	24,5 mm
SW	15 mm
A	50 mm
B	46 mm
D2	58 mm
H	233 mm
J	192 mm
L	520 mm
M	219 mm
M1	22 mm
N	15 mm
T	6 mm
A2	54,5 mm
Weight	11,8 Kg
Basic dynamic load rating (C)	29,6 kN
A1	16 mm
A5	24.5 mm
B1	46 mm
d1	58 mm
G	M6x1



BEARING de Mexico?S.A.

H1	102 mm
H2	83 mm
L1	88 mm
L3	83 mm
N1	19 mm
N2	49 mm
C	29.6 kN
C0	18.2 kN
T min.	-20 ° C
T max.	100 ° C
Adapter sleeve reference	H2308
Designation of housing	T208-
Designation of bearing	UK208G2H