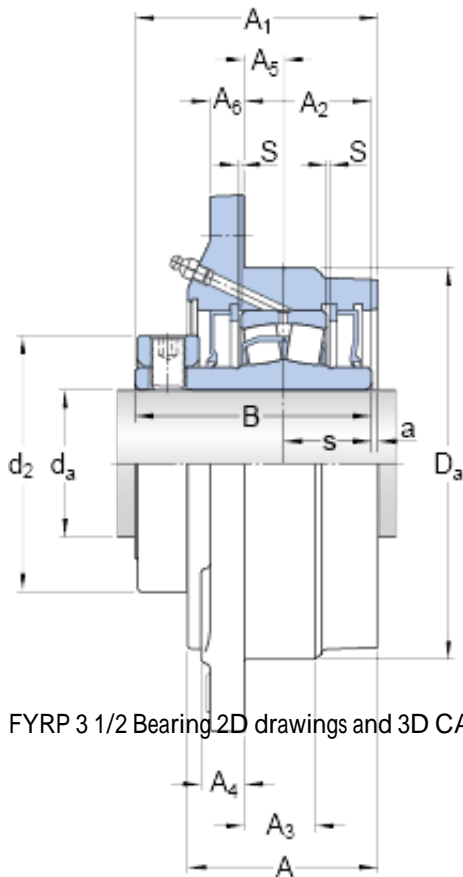




## BEARING de Mexico?S.A.



FYRP 3 1/2 Bearing 2D drawings and 3D CAD models

### SKF FYRP 3 1/2 Ball bearings units

Bearing No. FYRP 3 1/2

|                               |                         |
|-------------------------------|-------------------------|
| Size                          | 88.9x130.175x187.325 mm |
| Bore Diameter                 | 88,9 mm                 |
| Outer Diameter                | 130,175 mm              |
| Width                         | 187,325 mm              |
| $d_a$                         | 88.9 mm                 |
| $d_2$                         | 130.175 mm              |
| $D_a$                         | 187.325 mm              |
| A                             | 80.962 mm               |
| $A_1$                         | 106.362 mm              |
| $A_2$                         | 49.212 mm               |
| $A_3$                         | 31.75 mm                |
| $A_4$                         | 26.988 mm               |
| $A_5$                         | 13.494 mm               |
| $A_6$                         | 22.225 mm               |
| B                             | 102.394 mm              |
| a                             | 4.762 mm                |
| J                             | 219.075 mm              |
| L                             | 260.35 mm               |
| $N_1$                         | 20.638 mm               |
| s                             | 36.512 mm               |
| S                             | 0.794 mm                |
| Basic dynamic load rating - C | 253 kN                  |
| Limiting speed                | 2300 r/min              |
| $d_a$                         | 88.9 mm                 |



## BEARING de Mexico?S.A.

|                             |            |
|-----------------------------|------------|
| $d_2$                       | 130.175 mm |
| $D_a$                       | 187.325 mm |
| $A_1$                       | 106.362 mm |
| $A_2$                       | 49.212 mm  |
| $A_3$                       | 31.75 mm   |
| $A_4$                       | 26.988 mm  |
| $A_5$                       | 13.494 mm  |
| $A_6$                       | 22.225 mm  |
| $N_1$                       | 20.637 mm  |
| Basic dynamic load rating C | 253 kN     |
| Mass bearing unit           | 13.2 kg    |
| Attachment bolt diameter G  | 19.05 mm   |