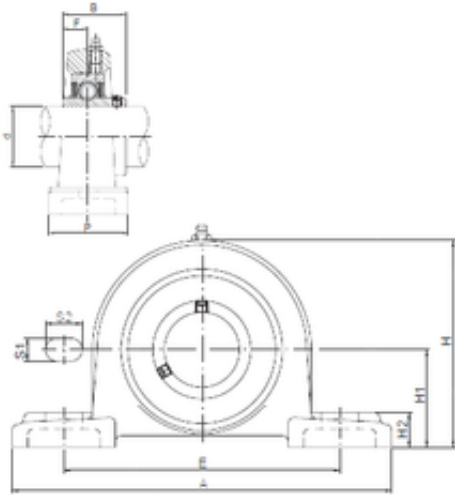




## BEARING de Mexico?S.A.

### ISO UCPX08 Ball bearings units

Bearing No. UCPX08



UCPX08 Bearing 2D drawings and 3D CAD models

Bore Diameter	40 mm
d	40 mm
S1	20 mm
P	67 mm
A	222 mm
B	49,2 mm
E	156 mm
F	19 mm
H	111 mm
H1	58,7 mm
H2	26 mm
S2	23 mm
Bolt (G)	M16