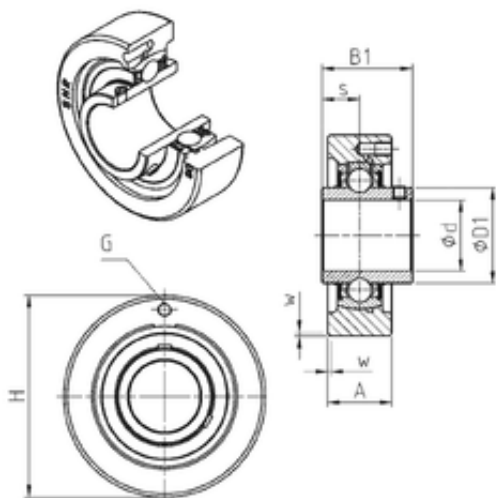




BEARING de Mexico?S.A.



UCC205 Bearing 2D drawings and 3D CAD models

SNR UCC205 Ball bearings units

Bearing No. UCC205

Bore Diameter	25 mm
d	25 mm
s	14,3 mm
A	22 mm
B1	34 mm
D1	34 mm
H	80 mm
W	1,5 mm
Thread (G)	M6x1
Weight	0,7 Kg
Basic dynamic load rating (C)	14 kN
B	34 mm
A3	1.5 mm
A5	19.7 mm
G	M6x1
s1	17 mm
S	14.3 mm
SW	3 mm
C	14 kN
C0	7.88 kN
T min.	-20 ° C
T max.	100 ° C
Recommended tightening torque for set screw	5.5 Nm
Designation of housing	C205-
Designation of bearing	UC205G2



BEARING de Mexico?S.A.