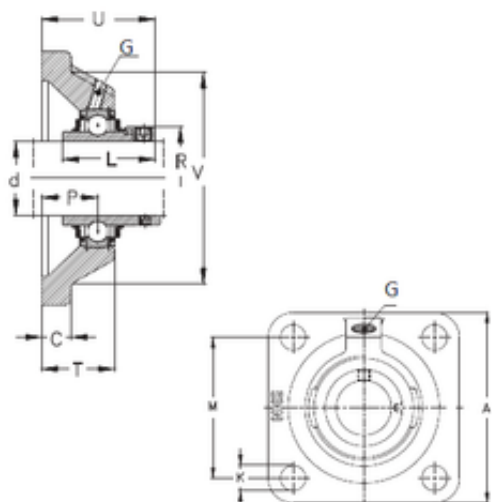




# BEARING de Mexico?S.A.



## NKE RCJ40-N Ball bearings units

Bearing No. RCJ40-N

Bore Diameter	40 mm
d	40 mm
P	24 mm
V	110 mm
U	58,9 mm
K	14 mm
A	130 mm
C	13 mm
L	56,3 mm
M	101,5 mm
R	58 mm
T	34,5 mm
Thread (G)	R1/8 "

RCJ40-N Bearing 2D drawings and 3D CAD models