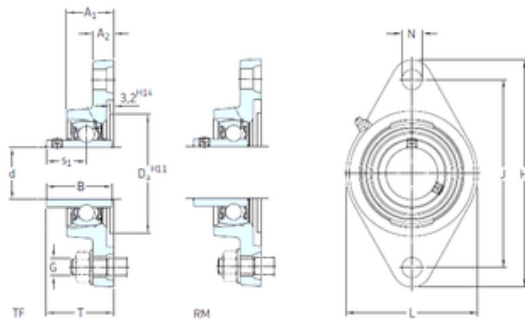




## BEARING de Mexico?S.A.



### SKF FYT 5/8 FM Ball bearings units

Bearing No. FYT 5/8 FM

Bore Diameter	15,875 mm
d	15,875 mm
Da	98,5 mm
s1	36,8 mm
A1	23,4 mm
B1	28,6 mm
G	22,1 mm
H	76,2 mm
J	54 mm
L	11,1 mm
N	10 mm
T	9,56 mm
A2	11,5 mm
Weight	0,34 Kg
Basic dynamic load rating (C)	4,75 kN
Basic static load rating (C0)	0,2 kN
Category	Flange Block Bearings
Inventory	0.0
Manufacturer Name	SKF
Minimum Buy Quantity	N/A
Weight / Kilogram	0.32
EAN	7316576615061
Product Group	M06110
Number of Mounting Holes	2
Mounting Method	Eccentric Collar
Housing Style	2 Bolt Flange Block

FYT 5/8 FM Bearing 2D drawings and 3D CAD models



## BEARING de Mexico?S.A.

Rolling Element	Ball Bearing
Housing Material	Cast Iron
Expansion / Non-expansion	Non-expansion
Mounting Bolts	3/8 Inch
Relubricatable	Yes
Insert Part Number	YET 203-010
Seals	M Seal
Housing Configuration	1 Piece Solid
Pilot Configuration	No Pilot
Inch - Metric	Inch
Long Description	2 Bolt Flange Block; 5/8" Bore; 3" Bolt Circle; 3" Bolt Spacing; 1 Piece Solid; Eccentric Collar Mount; Cast Iron; Ball Bearing; 1-7/64" Length Thru Bore; Relubricatable; M Seal Se
Other Features	Single Row   Standard Duty   Narrow Inner Race   Open End   Y Bearing
Category	Flange Block
UNSPSC	31171501
Harmonized Tariff Code	8483.20.40.40
Noun	Bearing
Keyword String	Flanged
Manufacturer URL	<a href="http://www.skf.com">http://www.skf.com</a>
Manufacturer Item Number	FYT 5/8 FM
Weight / LBS	0.7
Bolt Spacing	3 Inch   76.2 Millimeter
Length Thru Bore	1.109 Inch   28.169 Millimeter
Cartridge Pilot Diameter	0 Inch   0 Millimeter
Bore	0.625 Inch   15.875 Millimeter
Nominal Bolt Circle	3 Inch   76 Millimeter



## BEARING de Mexico?S.A.

Diameter Round	
Cartridge Pilot Depth	0 Inch   0 Millimeter