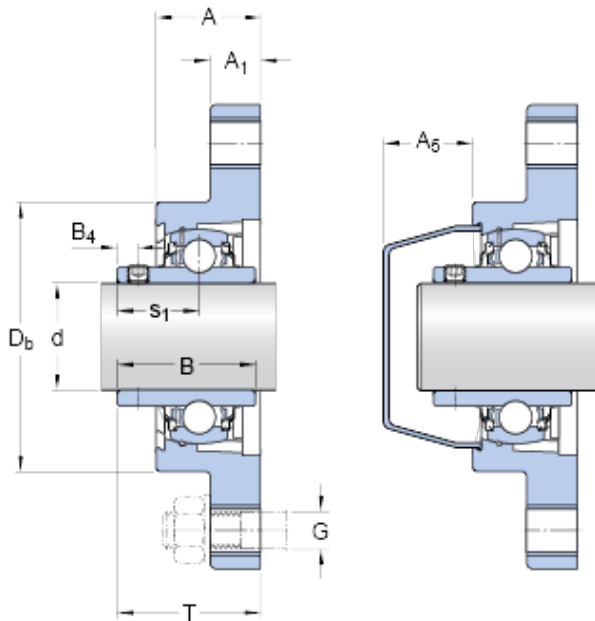




BEARING de Mexico?S.A.

SKF FYTWK 50 LTA Ball bearings units

Bearing No. FYTWK 50 LTA



FYTWK 50 LTA Bearing 2D drawings and 3D CAD models

| | |
|---|-------------|
| Size | 50x43x21 mm |
| Bore Diameter | 50 mm |
| Outer Diameter | 43 mm |
| Width | 21 mm |
| d | 50 mm |
| A | 43 mm |
| A ₁ | 21 mm |
| A ₅ | 42.3 mm |
| B | 51.6 mm |
| B ₄ | 9 mm |
| D _b | 115 mm |
| J | 157 mm |
| H | 197 mm |
| L | 115 mm |
| H | 17 mm |
| s ₁ | 32.6 mm |
| T | 57.6 mm |
| Basic dynamic load rating - C | 35.1 kN |
| Basic static load rating - C ₀ | 23.2 kN |
| Fatigue load limit - P _u | 0.98 kN |
| Limiting speed | 2200 r/min |
| Mass bearing unit | 1.15 kg |
| Thread - G ₂ | M10x1 |
| Hexagonal key size for grub screw - H | 5 mm |



BEARING de Mexico?S.A.

| | |
|---|---------------------------------|
| Category | Bearings |
| Inventory | 0.0 |
| Manufacturer Name | SKF |
| Minimum Buy Quantity | N/A |
| Weight / Kilogram | 0 |
| Product Group | M06110 |
| Housing material | Composite for food and beverage |
| D _b | 115 mm |
| A ₁ | 21 mm |
| A ₅ | 42.3 mm |
| B ₄ | 9 mm |
| N | 17 mm |
| s ₁ | 32.6 mm |
| Basic dynamic load rating C | 35.1 kN |
| Basic static load rating C ₀ | 23.2 kN |
| Fatigue load limit P _u | 0.98 kN |
| Thread grub screw G ₂ | M10x1 |
| Hexagonal key size for grub screw N | 5 mm |
| Recommended tightening torque for grub screw | 16.5 N · m |
| Recommended diameter for attachment bolts, mm G | 16 mm |
| Recommended diameter for attachment bolts, inch G | 0.625 in |
| Housing | FYTWK 510 L |
| Bearing | YAR 210-2RF/VE495 |
| End cover | ECL 210 |