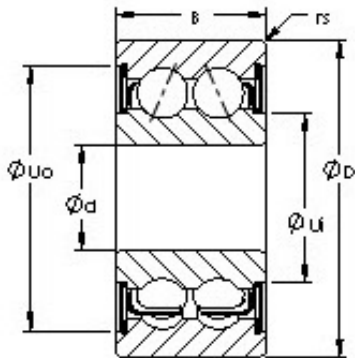




BEARING de Mexico?S.A.



AST 5317ZZ Angular contact ball bearings

Bearing No. 5317ZZ

Size	85x180x73.025 mm
Bore Diameter	85 mm
Outer Diameter	180 mm
Width	73,025 mm
Bearing Type	shielded
Bore Dia (d)	85.0000
Outer Dia (D)	180.0000
Width (B)	73.0250
Radius (min) (rs)	3.000
Dynamic Load Rating (Cr)	195,000
Static Load Rating (Cor)	176,000
Max Speed (Grease) (X1000 RPM)	2
Max Speed (Oil) (X1000 RPM)	3
Max. Shaft Shoulder Dia. Inner (Ui)	99.0
Min. Housing Shoulder Dia., Outer (Uo)	167.000
Weight (g)	6,650.00
Precision	A1
Standard Clearance	C0
Material	52100 Chrome steel, or equivalent

5317ZZ Bearing 2D drawings and 3D CAD models