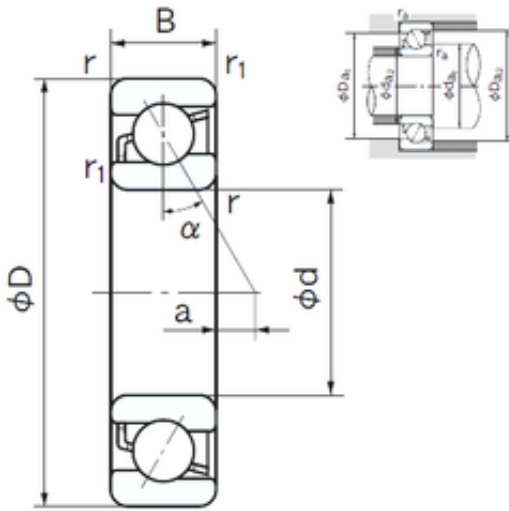




BEARING de Mexico?S.A.

10 mm x 30 mm x 9 mm NACHI 7200 Angular contact ball bearings

Bearing No. 7200



7200 Bearing 2D drawings and 3D CAD models

Size	10x30x9 mm
Bore Diameter	10 mm
Outer Diameter	30 mm
Width	9 mm
d	10 mm
D	30 mm
B	9 mm
C	9 mm
Angle (°)	30 °
a	1.3 mm
r min.	0.6 mm
r1 min.	0.3 mm
da min.	15 mm
Da max.	25 mm
ra max.	0.6 mm
Weight	0.034 Kg
Basic dynamic load rating (C)	5,4 kN
Basic static load rating (C0)	2,71 kN
(Grease) Lubrication Speed	22000 r/min
Configuration	Single Row
Enclosure	Open
Bore Type	Cylindrical Bore
Bore Size	10 mm
Outside Diameter	30 mm
Width	9 mm



BEARING de Mexico?S.A.

Fillet Radius/Chamfer	0.6 mm
r1	0.3 mm
Dynamic Load Rating	5,400 N
Static Load Rating	2,710 N
Limiting Speed - Grease	22,000 rpm
Limiting Speed - Oil	30,000 rpm
da1 (min)	15 mm
da2 (min)	12 mm
Da1 (max)	25 mm
Da2 (max)	27.4 mm
ra (max)	0.6 mm
ra1 (max)	0.3 mm