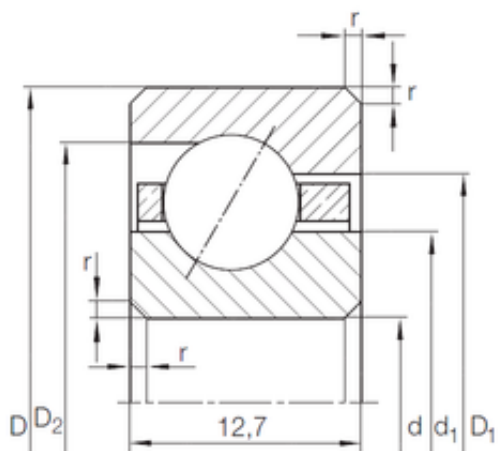




BEARING de Mexico?S.A.

355,6 mm x 381 mm x 12,7 mm INA CSED
1403) Angular contact ball bearings



Bearing No. CSED 1403)

Size	355.6x381x12.7 mm
Bore Diameter	355,6 mm
Outer Diameter	381 mm
Width	12,7 mm
d	355,6 mm
D	381 mm
B	12,7 mm
C	12,7 mm
d1	365 mm
r min.	1,5 mm
D1	371,6 mm
D2	374 mm
Weight	1,24 Kg
Basic dynamic load rating (C)	20 kN
Basic static load rating (C0)	47 kN

CSED 1403) Bearing 2D drawings and 3D CAD models