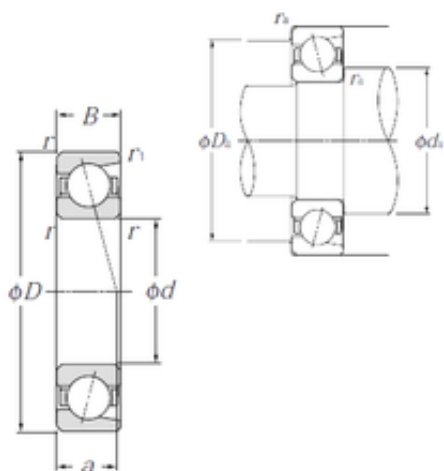




BEARING de Mexico?S.A.

55 mm x 120 mm x 29 mm NTN 7311 Angular contact ball bearings



Bearing No. 7311

Size	55x120x29 mm
Bore Diameter	55 mm
Outer Diameter	120 mm
Width	29 mm
d	55 mm
D	120 mm
B	29 mm
C	29 mm
Angle (°)	25 °
a	40 mm
r min.	2 mm
r1 min.	1 mm
da min.	65 mm
db min	60,5 mm
ra max.	2 mm
Weight	1,39 Kg
Basic dynamic load rating (C)	86 kN
Basic static load rating (C0)	61,5 kN
(Grease) Lubrication Speed	6 400 r/min
Contact angle	30 °
rs min	2 mm
r1s min	1 mm
Mass	1.39 kg
Dynamic load, C	86 kN
Static load, C0	61.5 kN

7311 Bearing 2D drawings and 3D CAD models



BEARING de Mexico?S.A.

Fatigue limit load, Cu	2.8 kN
Nlim (oil)	8,600 rpm
Nlim (grease)	6,400 rpm
Min operating temperature, Tmin	-40 ° C
Max operating temperature, Tmax	120 ° C
da min	65 mm
Da max	110 mm
Db max	114.5 mm
r1a max	1 mm
ra max	1 mm
Category	Angular Contact Ball Bearings
Inventory	0.0
Manufacturer Name	NTN
Minimum Buy Quantity	N/A
Weight / Kilogram	1.406
EAN	4547359450910
Product Group	B00308
Enclosure	Open
Flush Ground	No
Rolling Element	Ball Bearing
Number of Rows of Balls	Single Row
Precision Class	ABEC 1 ISO P0
Maximum Capacity / Filling Slot	No
Snap Ring	No
Cage Material	Steel
Contact Angle	30 Degree
Internal Clearance	C0-Medium
Number of Bearings	1 (Single)
Inch - Metric	Metric



BEARING de Mexico?S.A.

Long Description	55MM Bore; 120MM Outside Diameter; 29MM Width; Open; No Flush Ground; Ball Bearing; Single Row of Balls; ABEC 1 ISO P0; No Filling Slot; No Snap Ring; C0-Medium; Steel Cage; 30 Degree; 1 (Single)
Category	Angular Contact Ball Bearing
UNSPSC	31171531
Harmonized Tariff Code	8482.10.50.28
Noun	Bearing
Keyword String	Angular Contact
Manufacturer URL	http://www.ntnamerica.com
Outside Diameter	4.724 Inch 120 Millimeter
Bore	2.165 Inch 55 Millimeter
Width	1.142 Inch 29 Millimeter
bore diameter:	55 mm
radial static load capacity:	61500 N
outside diameter:	120 mm
operating temperature range:	-40 to 120 ° C
overall width:	29 mm
cage material:	Steel
contact angle:	30 °
outer ring width:	29 mm
row type & fill slot:	Single-Row Non-Fill Slot
maximum rpm:	8600 rpm
internal clearance:	C0
finish/coating:	Uncoated
bore type:	Round
precision rating:	ISO Class 0
closure type:	Open



BEARING de Mexico?S.A.

fillet radius:	2 mm
snap ring included:	Without Snap Ring
series:	73
bearing material:	High Carbon Chrome Steel
weight:	1.406 kg
radial dynamic load capacity:	86000 N
manufacturer product page:	Click here