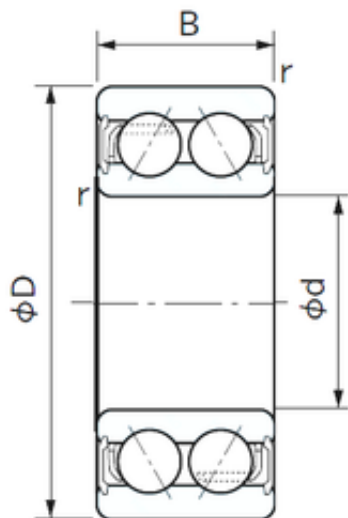




BEARING de Mexico?S.A.



20 mm x 47 mm x 20.6 mm NACHI
5204A-2NS Angular contact ball bearings

Bearing No. 5204A-2NS

Size	20x47x20.6 mm
Bore Diameter	20 mm
Outer Diameter	47 mm
Width	20.6 mm
d	20 mm
D	47 mm
B	20.6 mm
C	20.6 mm
r min.	1 mm
Weight	0.120 Kg
Basic dynamic load rating (C)	19 kN
Basic static load rating (C0)	12,1 kN
(Grease) Lubrication Speed	9500 r/min
Enclosure	Double Seal
Configuration	Double Row
Bore Type	Cylindrical Bore
Bore Size	20 mm
Outside Diameter	47 mm
Width	20.6 mm
Fillet Radius/Chamfer	1 mm
Dynamic Load Rating	19,000 N
Static Load Rating	12,100 N
Limiting Speed - Oil	9,500 rpm
Radial Clearance	0.005 to 0.020 mm
da	26 mm

5204A-2NS Bearing 2D drawings and 3D CAD models



BEARING de Mexico?S.A.

Da	41 mm
ra	1 mm